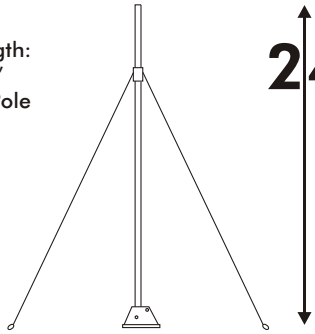


TOW-24-WHI

Pole Length:
1 - 24'
No Gin Pole

24'

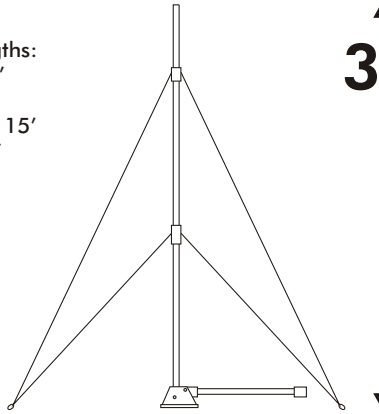


Guy Radius: 15' Auger Size: 36"
Anchor Hole: 1.5' diameter x 3' deep x 12" concrete

TOW-30-WHI

Pole Lengths:
1 - 13'
1-17'
Gin Pole: 15'
1- 15'

30'

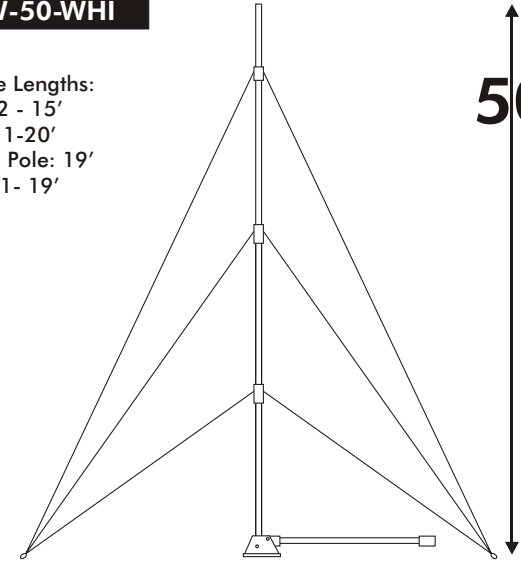


Guy Radius: 20' Auger Size: 48"
Anchor Hole: 2' diameter x 3' deep x 9" concrete

TOW-50-WHI

Pole Lengths:
2 - 15'
1-20'
Gin Pole: 19'
1- 19'

50'

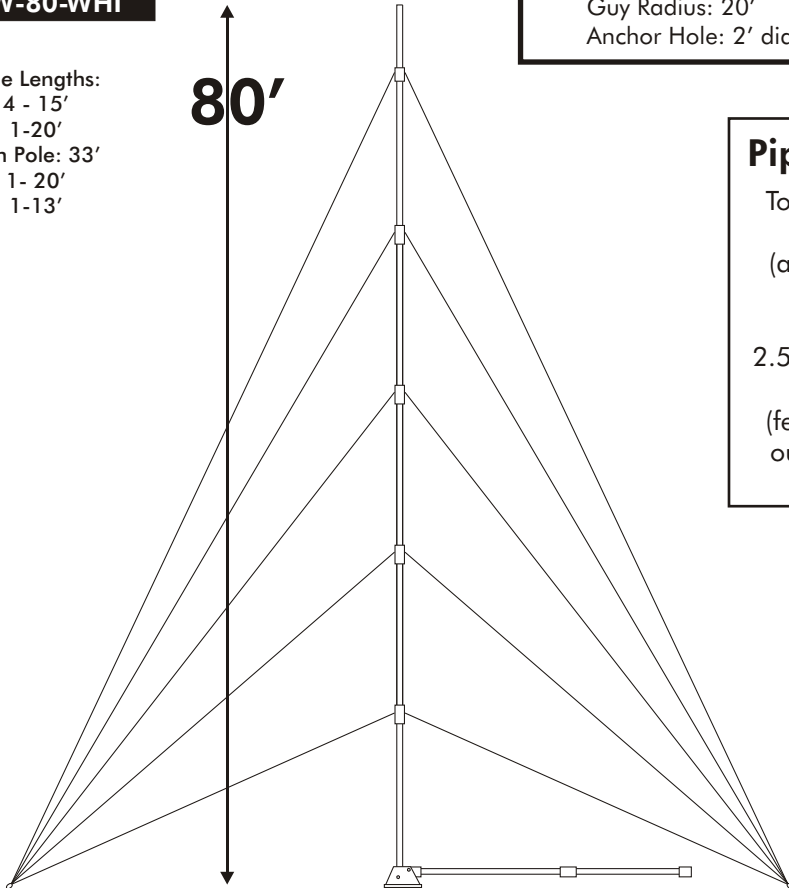


Guy Radius: 25' Auger Size: 48"
Anchor Hole: 2' diameter x 3' deep x 10" concrete

TOW-80-WHI

Pole Lengths:
4 - 15'
1-20'
Gin Pole: 33'
1- 20'
1-13'

80'



Guy Radius: 40' Auger Size: 60"
Anchor Hole: 2' diameter x 4' deep x 12" concrete

Pipe Requirements:

Tower Kits use 2.5" CQ40 fence pipe (available from any chain link fence company) or 2.5" schedule 40 water pipe (fence & water pipe actual outer diameter is 2.875")



Top View

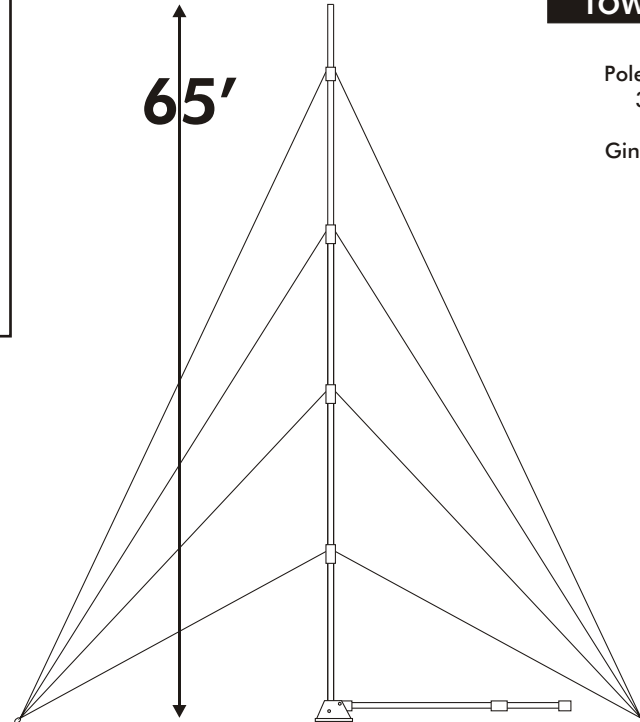


Each tower uses 4 anchor points

TOW-65-WHI

Pole Lengths:
3 - 15'
1-20'
Gin Pole: 26'
1- 20'
1-6'

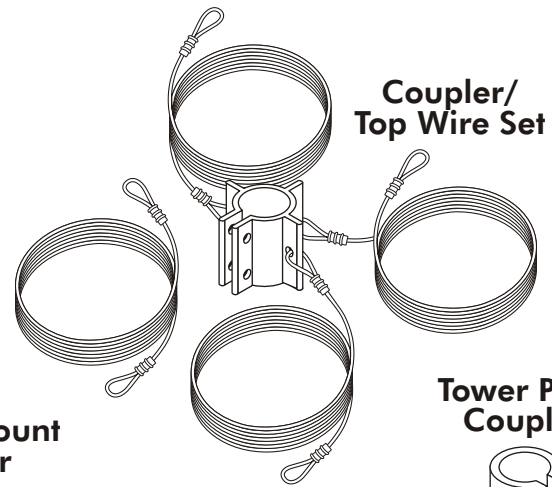
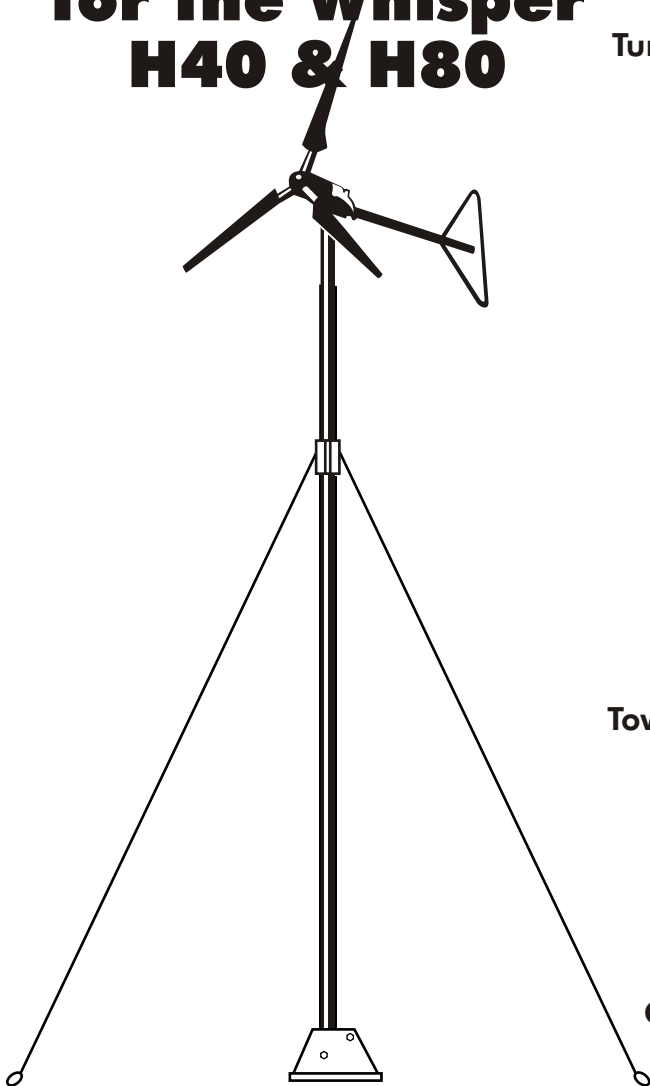
65'



Guy Radius: 33' Auger Size: 60"
Anchor Hole: 2' diameter x 3' deep x 12" concrete

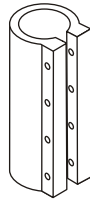
WHISPER™ TOWER

Guyed Tower Kits for the Whisper H40 & H80

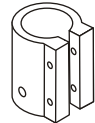


Coupler/
Top Wire Set

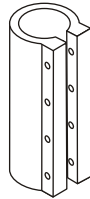
Turbine Mount
Coupler



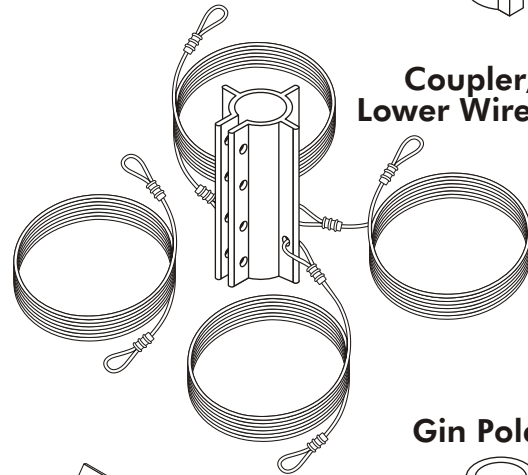
Tower Pivot
Coupler



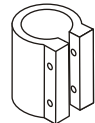
Gin Pole
Coupler



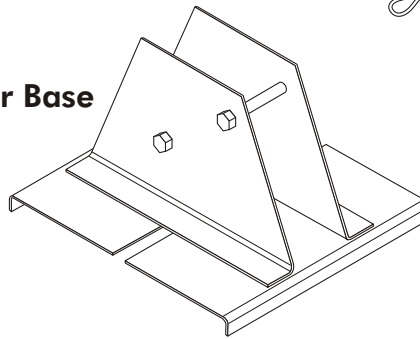
Coupler/
Lower Wire Set



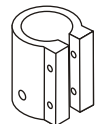
Gin Pole Top



Tower Base



Gin Pilot Coupler



Coupler Bolts



Cable Thimbles



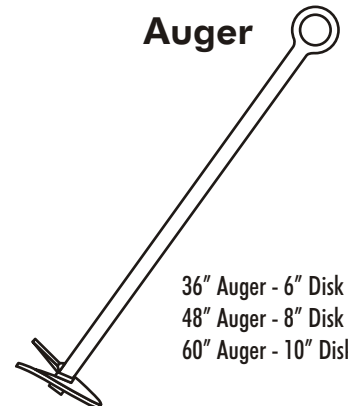
Cable Clamps



Kits Include:	24'	30'	50'	65'	80'
Tower Base	1	1	1	1	1
Coupler/Lower Wire Set	0	1	2	3	4
Coupler/Top Wire Set	1	1	1	1	1
Turbine Mount Coupler	1	1	1	1	1
Tower Pivot Coupler	1	1	1	1	1
Gin Pole Coupler	0	0	0	1	1
Gin Pilot Coupler	0	1	1	1	1
Gin Pole Top	0	1	1	1	1
Gin Pole Top Link	0	1	1	1	1
Coupler Bolts	8	16	20	28	32
Cable Thimbles	4	8	12	16	20
Cable Clamps	8	16	24	32	40

Part Numbers	
TOW-24-WHI	24' Whisper Guyed Tower Kit
TOW-30-WHI	30' Whisper Guyed Tower Kit
TOW-50-WHI	50' Whisper Guyed Tower Kit
TOW-65-WHI	65' Whisper Guyed Tower Kit
TOW-80-WHI	80' Whisper Guyed Tower Kit
TOW-AUG-36	Set of 4 - 36" Screw in Augers
TOW-AUG-36G	Set of 4 - 36" Screw in Augers, Galvanized
TOW-AUG-48	Set of 4 - 48" Screw in Augers
TOW-AUG-48G	Set of 4 - 48" Screw in Augers, Galvanized
TOW-AUG-60G	Set of 4 - 60" Screw in Augers, Galvanized

Auger



36" Auger - 6" Disk
48" Auger - 8" Disk
60" Auger - 10" Disk